



賀電
NHD

TERMINAL BLOCK

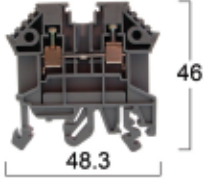
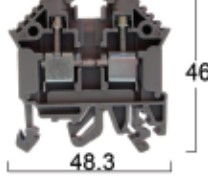
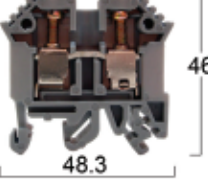



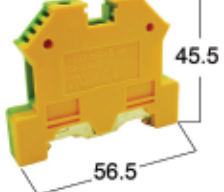
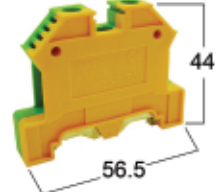
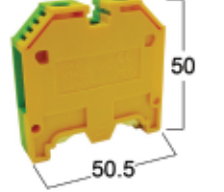





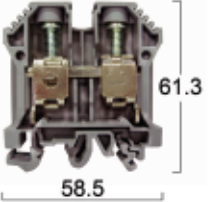

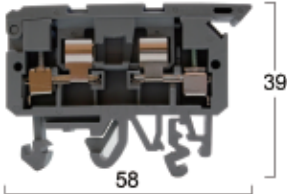

QUALITY IS OUR BEST POLICY

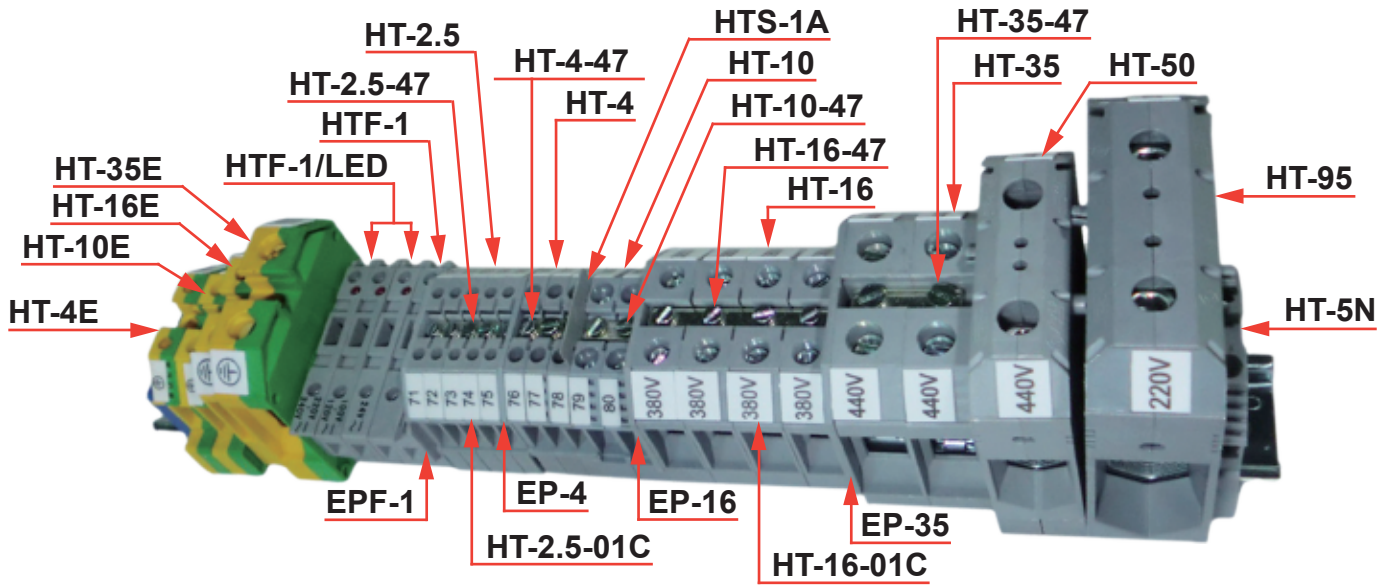
 **MIRDC**
ISO 9001
3A6Y013


EC Declaration
of Conformity




 **US**
E158377

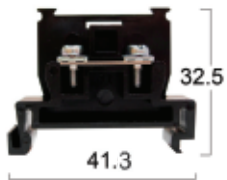
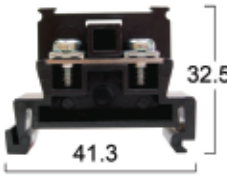

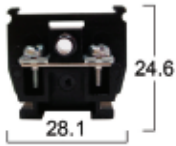
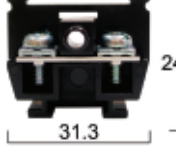
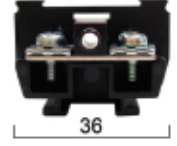


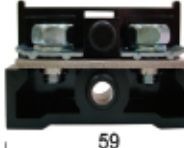

| 歐式組合端子台 | HT-2.5 | HT-4 | HT-10 |
|---|---|--|---|
| Feed-Through Terminals <ul style="list-style-type: none"> Screw clamp connection Rail mount on TS32 / TS35 / NR-35x7.5-1 |  |  |  |
| Pcs/Box 個/盒 | 200 | 100 | 100 |
| Terminal width 寬度 | 5.1 mm | 6.2 mm | 8.4 mm |
| AWG | 22-12 | 22-10 | 22-8 |
| Electrical ratings | V A | V A | V A |
| VDE | 750 26 | 750 34 | 750 55 |
| CE | 600 24 | 600 30 | 600 50 |
| UL | 600 20 | 600 30 | 600 50 |
| End plate 邊蓋 | EP-4 | EP-4 | EP-4 |
| Cross-connection 短路片 | HT-2.5-47 | HT-4-47 | HT-10-47 |
| End bracket 擋片 | HT-5 or HT-5N | HT-5 or HT-5N | HT-5 or HT-5N |
| Color 顏色 | Grey 灰色 | Grey 灰色 | Grey 灰色 |
| Approvals 認證 |  |  |  |
| 歐式組合接地端子台 | HT-4E | HT-10E | HT-16E |
| Feed-Through Terminals <ul style="list-style-type: none"> Screw clamp connection Rail mount on TS35 / NR-35x7.5-1 |  |  |  |
| Pcs/Box 個/盒 | 50 | 50 | 20 |
| Terminal width 寬度 | 9 mm | 10.4 mm | 12 mm |
| AWG | 22-10 | 20-6 | 10 |
| Rated surge voltage | 8kV | 8kV | 12kV |
| Contamination | 3 | 3 | 3 |
| Color 顏色 | Green/Yellow 綠色/黃色 | Green/Yellow 綠色/黃色 | Green/Yellow 綠色/黃色 |
| Approvals 認證 |  |  |  |
| | | | |
| | | | |
| | | | |
| | | | |

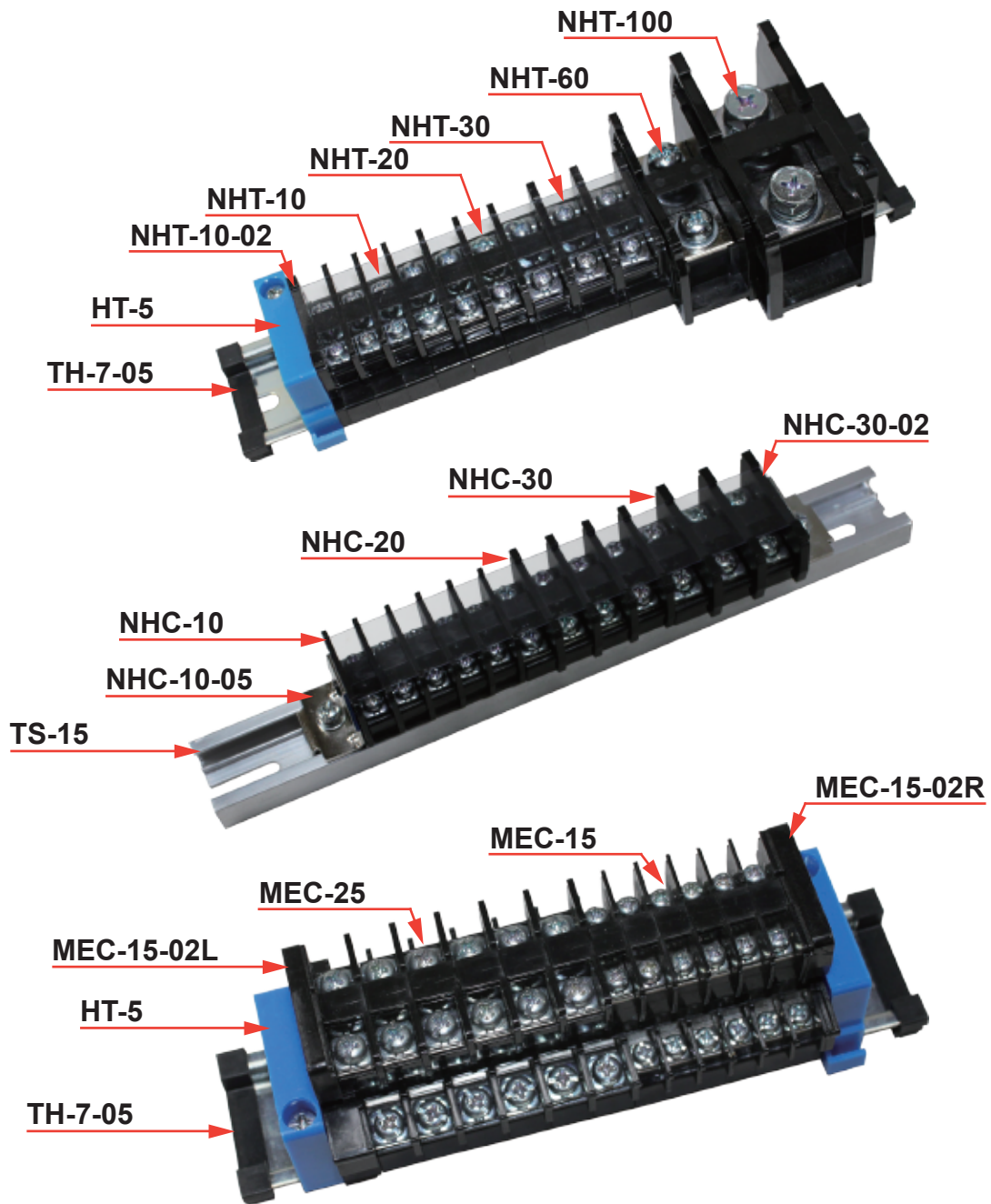
| HT-16 | | HT-35 | | HT-50 | | HT-95 | |
|---|----|---|-----|--|-----|---|----------------|
|  | |  | |  | |  | |
| 50.6 | | 58.5 | | 80 | | 85 | |
| 51.7 | | 61.3 | | 76.7 | | 89 | |
| 50 | | 20 | | 50 | | 25 | |
| 12.3 mm | | 16.2 mm | | 20.3 mm | | 25.5 mm | |
| 12-6 | | 12-2 | | 6-1/0 | | 2 | |
| V | A | V | A | V | A | V | A |
| 750 | 75 | 750 | 135 | 1000 | 168 | 1000 | 250 |
| 600 | 70 | 600 | 100 | 600 | 150 | 600 | 230 |
| 600 | 70 | 600 | 115 | 600 | 150 | 600 | 115 |
| EP-16 | | EP-35 | | - | | - | |
| HT-16-47 | | HT-35-47 | | - | | - | |
| HT-5 or HT-5N | | HT-5 or HT-5N | | HT-5 or HT-5N | | HT-5 or HT-5N | |
| Grey 灰色 | | Grey 灰色 | | Grey 灰色 | | Grey 灰色 | |
|  | |  | |  | |  | |
| HT-35E | | 歐式保險絲端子台 | | HTF-1 | | HTF-1/LED | |
|  | | Fuse Terminals <ul style="list-style-type: none"> Screw clamp connection Rail mount on TS32 / TS35 / NR-35x7.5-1 | |  | |  | |
| 60 | | | | 39 | | 39 | |
| 58.5 | | | | 58 | | 58 | |
| 20 | | Pcs/Box 個/箱 | | 100 | | 100 | |
| 16 mm | | Terminal width 寬度 | | 8 mm | | 8 mm | |
| 10 | | AWG | | 22-14 | | 22-14 | |
| 12kV | | Electrical ratings | | V | A | LED Voltage | 24V AC/DC |
| 3 | | VDE | | 500 | 10 | | 100~120V AC/DC |
| Green/Yellow 綠色/黃色 | | CE/UL | | 250 | 10 | | 220~240V AC/DC |
|  | | Approvals 認證 | |  | |  | |
| | | End plate 邊蓋 | | EPF-1 | | EPF-1 | |
| | | End bracket 擋片 | | HT-5 or HT-5N | | HT-5 or HT-5N | |
| | | Color 顏色 | | Grey 灰色 | | Grey 灰色 | |








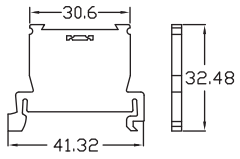
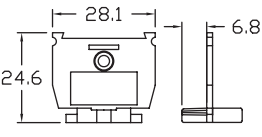
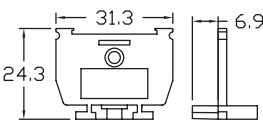
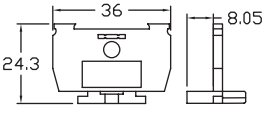
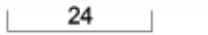


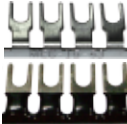
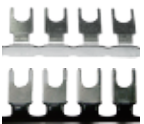

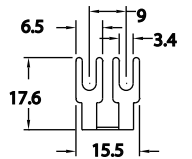
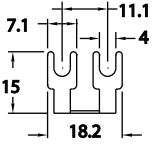
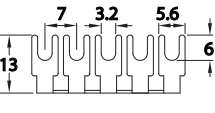
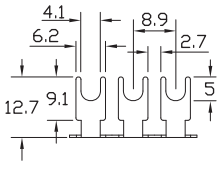
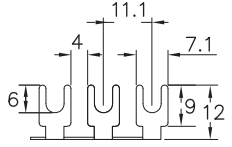


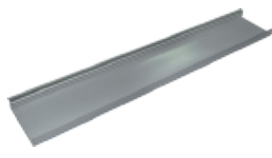
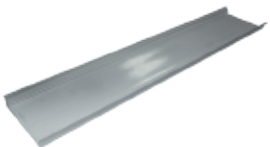
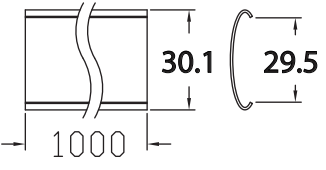
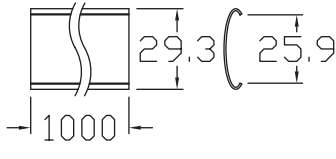
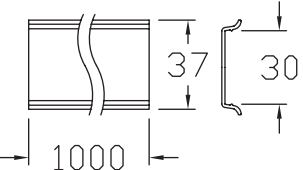
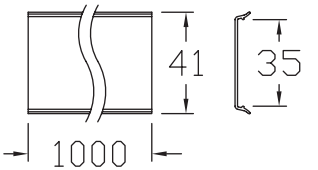
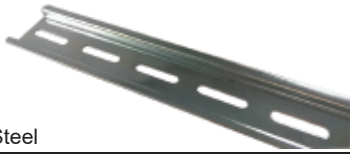
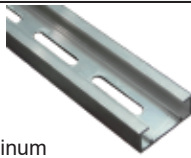
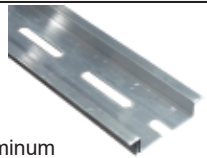
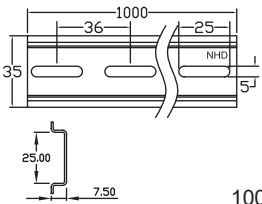
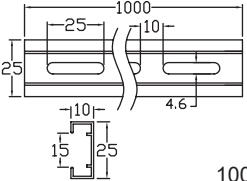
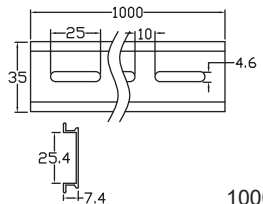
| HT-2.5-47 | HT-4-47 | HT-10-47 | HT-16-47 |
|--------------------------------|-----------------|--|-----------------|
| | | | |
| 30 PIN/SET | 10 PIN/SET | 10 PIN/SET | 4 PIN/SET |
| HT-5 | HT-2.5-01C | HT-4-01C | HT-35-47/T |
| Color: Blue , Grey , Black | | | |
| HT-5N | 105.5 | 1~10 ↓ 91~100 A~Z PE | 2 PIN/SET |
| Color: Pear , Grey | EPF-1 | EP-4 | EP-16 |
| Color: Grey | Color: Grey | Color: Grey | Color: Grey |
| 52.3 | 48.5 | 51.5 | 59 |

| 獨立型端子台 Feed-Through Terminals and Assemblies • Screw clamp connection • Rail mount on TS35 / NR-35x7.5-1 | NHT-202 | NHT-2 | NHT-3.5 | NHT-8 | | | |
|---|---|---|---|---|--|---|--|
| |  |  |  |  | | | |
| Pcs/Box 個/盒 | 50 | 20 | 20 | 20 | | | |
| Terminal width 寬度 | 20.8 mm | 25.8 mm | 35.5 mm | 43.5 mm | | | |
| AWG | 14 | 14 | 12 | 8 | | | |
| Electrical ratings | V A | V A | V A | V A | | | |
| CE/CSA/UL | 600 20 | 600 20 | 600 30 | 600 50 | | | |
| Pole | 2P | 3P | 3P | 3P | | | |
| Color 顏色 | Black 黑色 | Black 黑色 | Black 黑色 | Black 黑色 | | | |
| Approvals 認證 | CE | UL US CE | UL US CE | UL US CE | | | |
| NHT-14 | NHT-22 | NHT-38 | NHT-200 | NHT-400 | | | |
|  |  |  |  |  | | | |
| 100 | 20 | 10 | 3 | 3 | | | |
| 16 mm | 22.5 mm | 32mm | 39.5mm | 62.5mm | | | |
| 6 | 4 | 2 | 4/0 | 500 | | | |
| V A | V A | V A | V A | V A | | | |
| 600 60 | 600 90 | 600 130 | 600 240 | 600 370 | | | |
| 1P | 1P | 1P | 1P | 1P | | | |
| Black 黑色 | Black 黑色 | Black 黑色 | Black 黑色 | Black 黑色 | | | |
| UL US CE | UL US CE | UL US CE | UL US CE | UL US CE | | | |
| NHT-60 | | NHT-100 | | NHT-22-06A | | NHT-38-06A | |
|  | |  | |  | |  | |
| 80 | | 10 | | | | | |
| 22.5 mm | | 32 mm | | | | | |
| 6 | | 2 | | | | | |
| V A | V A | V A | V A | | | | |
| 600 60 | 600 100 | | | | | | |
| 1P | | 1P | | | | | |
| Black 黑色 | | Black 黑色 | | | | | |
| UL US CE | | UL US CE | |  For NHT-22、NHT-60 | |  For NHT-38、NHT-100 | |

| | | | | | | |
|---|---|----|---|--|---|---|
| 日式組合端子台 Feed-Through Terminals and Assemblies • Screw clamp connection • Rail mount on TS35 / NR-35x7.5-1 | NHT-10 | | NHT-20 | | NHT-30 | |
| |  | |  | |  | |
| PCS/BOX 個/盒 | 100 | | 100 | | 100 | |
| Terminal width 寬度 | 9 mm | | 10.6 mm | | 13.2 mm | |
| AWG | 22-16 | | 22-14 | | 22-12 | |
| Electrical ratings | V | A | V | A | V | A |
| CE/CSA/UL | 600 | 10 | 600 | 20 | 600 | 30 |
| End plate 邊蓋 | NHT-10-02 | | NHT-10-02 | | NHT-10-02 | |
| Color 顏色 | Black 黑色 | | Black 黑色 | | Black 黑色 | |
| Approvals 認證 | CE | | CE | | CE | |
| 日式組合端子台 Feed-Through Terminals and Assemblies • Screw clamp connection • Rail mount on TS15 | NHC-10 | | NHC-20 | | NHC-30 | |
| |  | |  | |  | |
| Pcs/Box 個/盒 | 200 | | 200 | | 200 | |
| Terminal width 寬度 | 8.5 mm | | 10.8 mm | | 13.2 mm | |
| AWG | 22-16 | | 22-14 | | 22-12 | |
| Electrical ratings | V | A | V | A | V | A |
| CE/CSA/UL | 600 | 10 | 600 | 20 | 600 | 30 |
| End plate 邊蓋 | NHC-10-02 | | NHC-20-02 | | NHC-30-02 | |
| Color 顏色 | Black 黑色 | | Black 黑色 | | Black 黑色 | |
| Approvals 認證 | CE | | CE | | CE | |
| 日式組合端子台 Feed-Through Terminals and Assemblies • Screw clamp connection | NHC-60 | | | NHC-100 | | |
| |  | |  |  | |  |
| Pole 個/組 | 3P、4P、5P、6P、7P | | | 3P、4P、5P、6P、7P | | |
| Terminal width 寬度 | 20 mm | | | 23 mm | | |
| AWG | 12-8 | | | 8-2 | | |
| Electrical ratings | V | A | | V | A | |
| CE/CSA/UL | 600 | 60 | | 600 | 100 | |
| End plate 邊蓋 | NHC-60-02 | | | NHC-100-02 | | |
| Color 顏色 | Black 黑色 | | | Black 黑色 | | |
| Approvals 認證 | CE | | | CE | | |



| 雙層端子台 Feed-Through Terminals and Assemblies | MEC-15 | MEC-25 | MEC-15-02R |
|--|--|--------------|------------|
| | <ul style="list-style-type: none"> Screw clamp connection Rail mount on TS15 / TS-35 / NR-35x7.5-1 | | |
| Pcs/Box 個/盒 | 100 | 100 | |
| Terminal width 寬度 | 7mm | 9.8mm | |
| AWG | 22-16 | 22-12 | |
| Electrical ratings | V A | V A | |
| CE/CSA/UL | 600 15 | 600 25 | |
| End plate 邊蓋 | MEC-15-02L/R | MEC-15-02L/R | |
| Color 黑色 | Black 黑色 | Black 黑色 | |
| Approvals 認證 | | | |

| | | | | |
|---|---|---|---|---|
| NHT-10-02 | NHC-10-02 | NHC-20-02 | NHC-30-02 | NHC-10-05 |
|  |  |  |  |  |
|  |  |  |  |  |
| 12D-53 / 12D-53-B | 18D-53 | MEC-15-53 / MEC-15-53-B | NHT-10-53 / NHT-10-53-B | NHT-20-53 |
|  |  |  |  |  |
|  |  |  |  |  |
| For NHT-10、NHC-10 | For NHT-20、NHT-30、MEC-25、NHC-20、NHC-30 | 10 PIN/SET | 12 PIN/SET | 12 PIN/SET |
| NHT-10-06A(薄) | NHC-10-06A(薄) | NHT-10-06 | NHT-30-06 | |
|  |  |  |  | |
| For NHT-10、NHT-20、MEC-15、MEC-25 | For NHC-10 | For NHT-10、NHT-20、MEC-25 | For NHT-30、NHC-30 | |
|  |  |  |  | |
| 1000mm/PCE | 1000mm/PCE | 1000mm/PCE | 1000mm/PCE | |
| NR-35x7.5 | TS-15 | TS-35 | | |
|  |  |  | | |
| 材質：鋼 Material：Steel | 材質：鋁 Material：Aluminum | 材質：鋁 Material：Aluminum | | |
|  |  |  | | |
| 1000mm/PCE | 1000mm/PCE | 1000mm/PCE | | |

賀電實業股份有限公司

NHD INDUSTRIAL CO., LTD

No.47, Lane 268, Hsin Hsu Road, Hsin Chuang Dist., New Taipei City, Taiwan.

TEL:886-2-2203-5265 FAX:886-2-2203-7157

E-mail:nhdi@ms15.hinet.net

URL:http://www.nhdi.com.tw/



2022/07©NHD